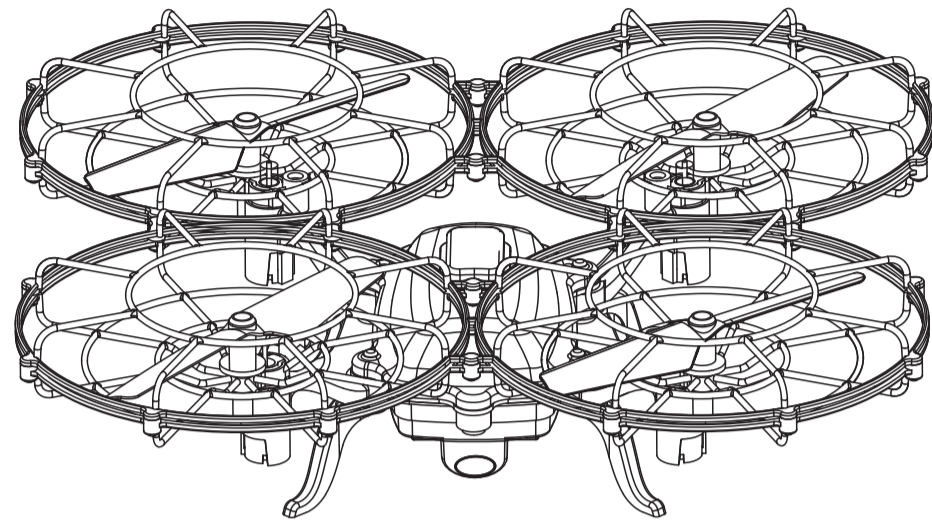


INSTRUCTION MANUAL Sub-Drone

Age:14+

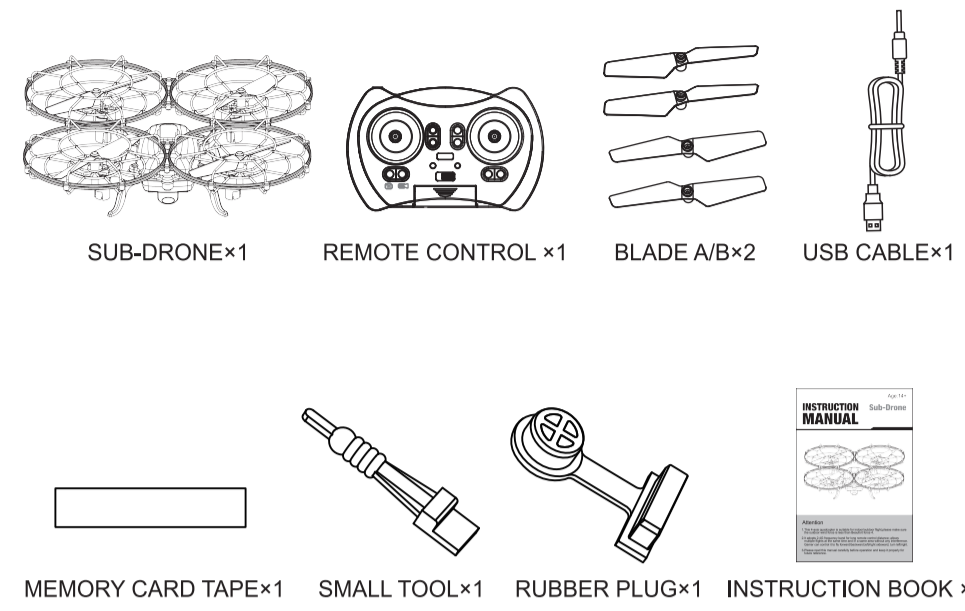


Thank you for your purchase of our product. To ensure safety. Please read this instruction manual carefully before operating and keep it in a safe place for further reference.

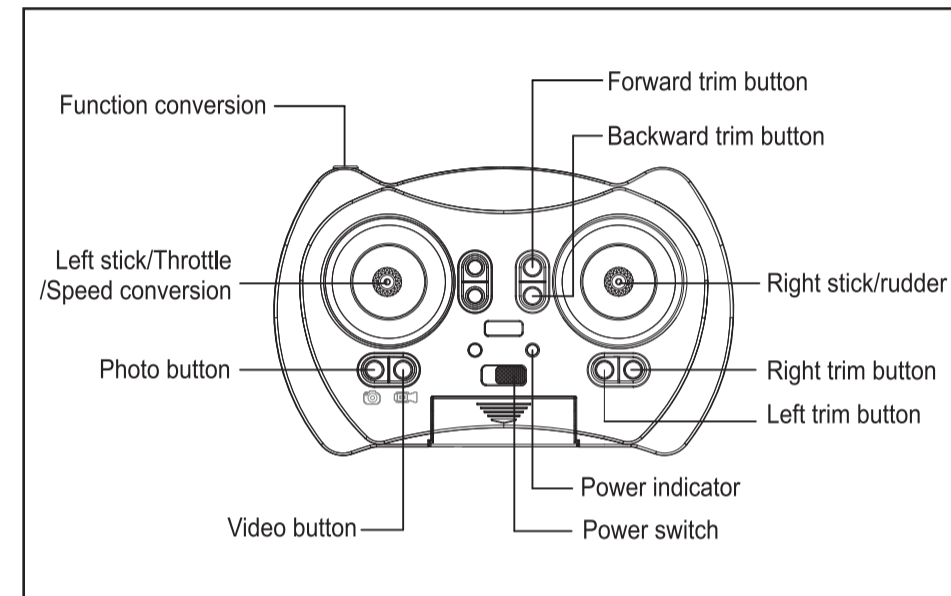
SAFETY PRECAUTIONS AND WARNINGS

1. Please read the instruction book carefully before using this product. Please operate this product as per the instruction manual shown.
2. Please place the tiny spare parts of the Sub-Drone beyond the reach of the children to prevent any accident from happening.
3. Please do not place the Sub-Drone and battery on high-temperature or heated place, such as near the fire or any other electro-thermal device.
4. Please keep distance of 1-2 meters away from the user or any other person when flying in order to avoid collision with the body and cause injury when flying.
5. Please do not disassemble or change this product.
6. Children should play it under the guardianship of the adult when flying this Sub-Drone.
7. In the air, the remote control distance of the Sub-Drone is about 30 meters.

PACKAGE CONTENTS

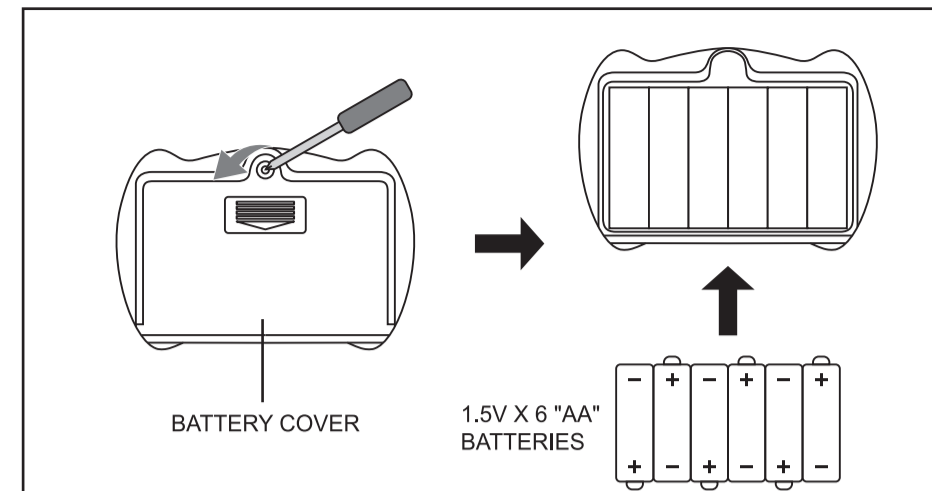


NAMES OF PARTS REMOTE CONTROL



-2-

TRANSMITTER BATTERY INSTALLATION



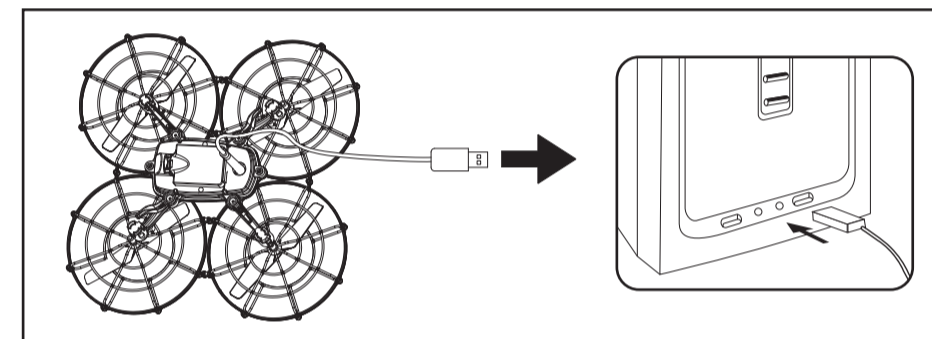
REMOTE BATTERY INSTALLATION

Battery installation: Open the battery cover on the back of the remote control. Correctly load 6×AA alkaline batteries according to the correct polarities. Compartment (6×AA battery are not included)

CAUTION:

1. Watch for the parity of the battery when installing or replacing it.
2. Do not charge the non-chargeable batteries.
3. Never charge the battery unattended.
4. Don't mix used batteries with the new ones or batteries of different types.
5. Remove the exhausted battery immediately.
6. Don't short-circuit batteries or electric circuit.
7. Don't decompose or put battery into fire.
8. Remove the battery and put it in a safe place if the Sub-Drone is not used for a long time.

AIRCRAFT BATTERY CHANGE



-3-

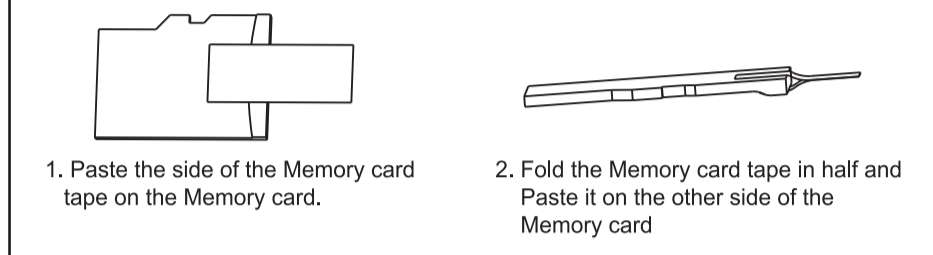
CHARGING THE BATTERY OF THE SUB-DRONE

1. Put the power switch at "OFF" position on the Sub-Drone.
2. Insert the USB port of the charging cable into USB Socket.
3. Connect the charging plug to the charging port on the Sub-Drone. At this time , the indicator on the Sub-Drone will be lit.
4. Charging time is about 1 hour and a half (90min). The indicator on the Sub-Drone will be turn off when charging is completed.
5. The battery used for the Sub-Drone is a 3.7V Li-Po battery, and the flight time is about 5 minutes after charging.

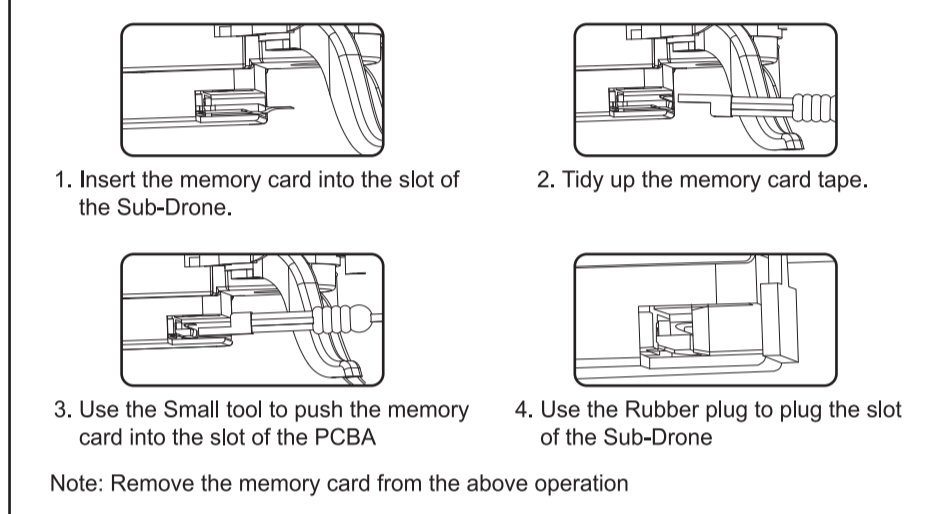
CAUTION:

When do not use this Sub-Drone, please pull the switch to "OFF" position to prevent excessive discharging. If the connector is kept connecting, it may cause excessive discharging due to long-time electricity consumption. Adaptor should be suitable to your local voltage.

PASTE THE MEMORY CARD TAPE ON THE MEMORY CARD



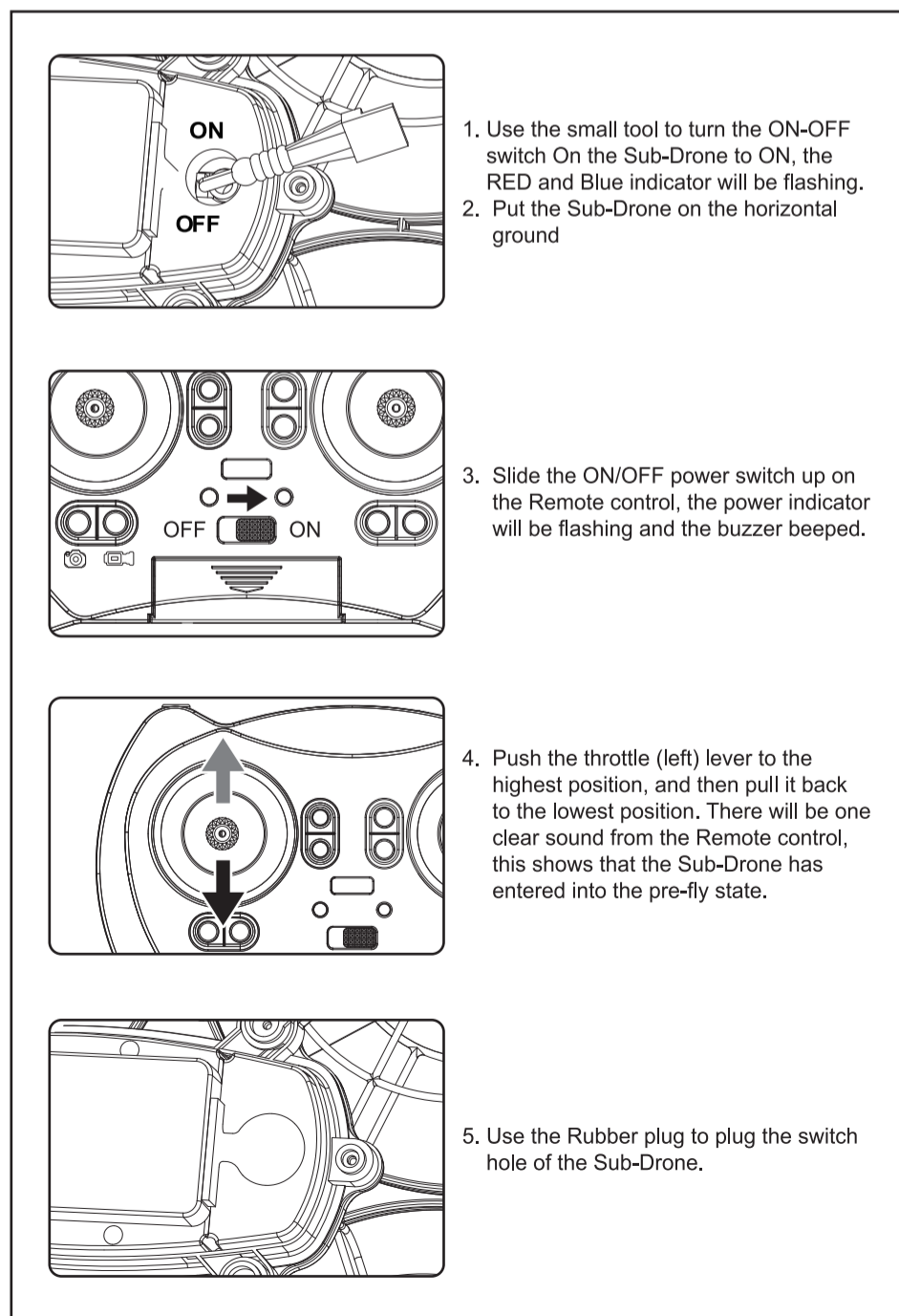
INSTALLATION THE MEMORY CARD



Note: Remove the memory card from the above operation

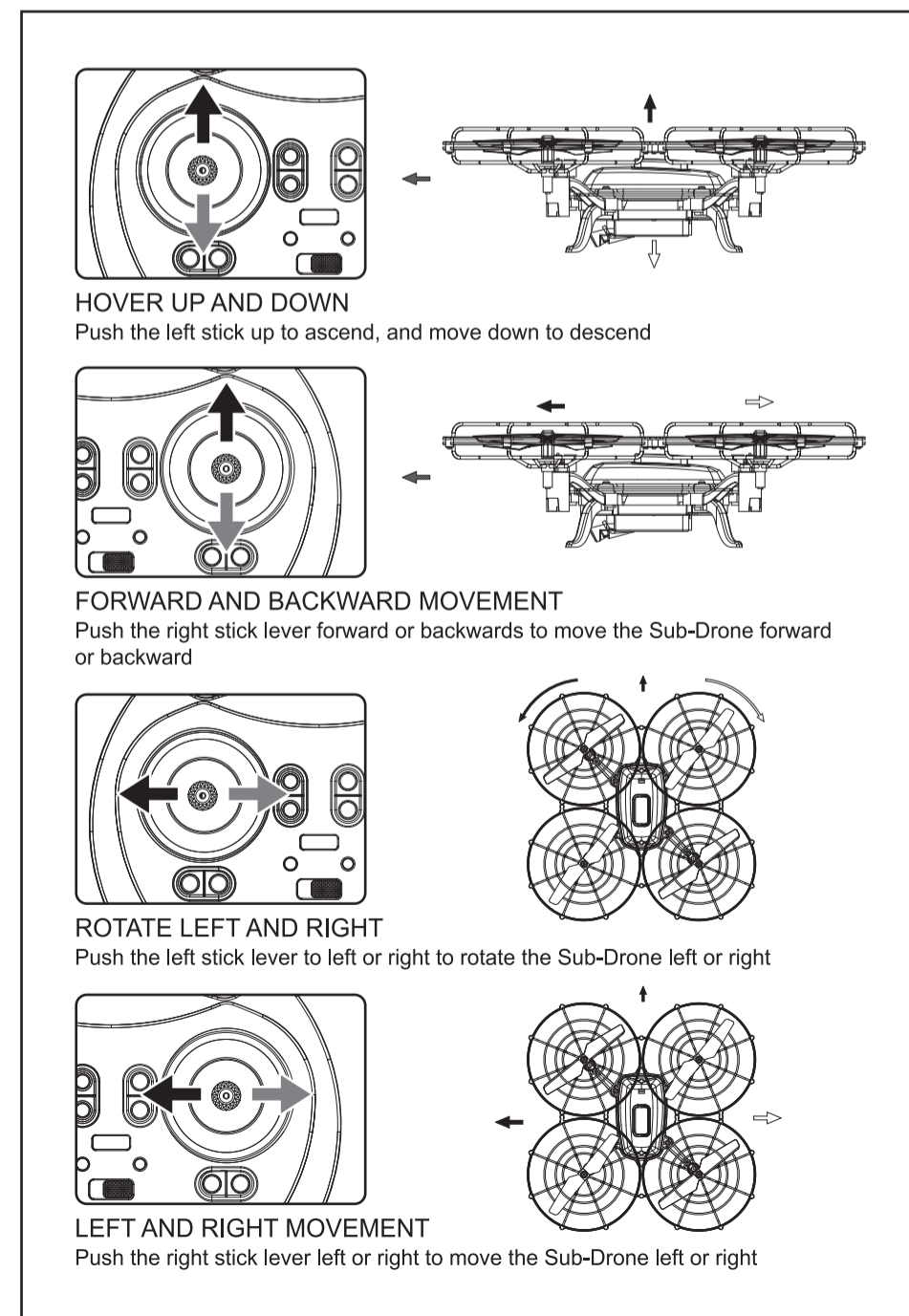
-4-

PREPARATION BEFORE TAKING OFF



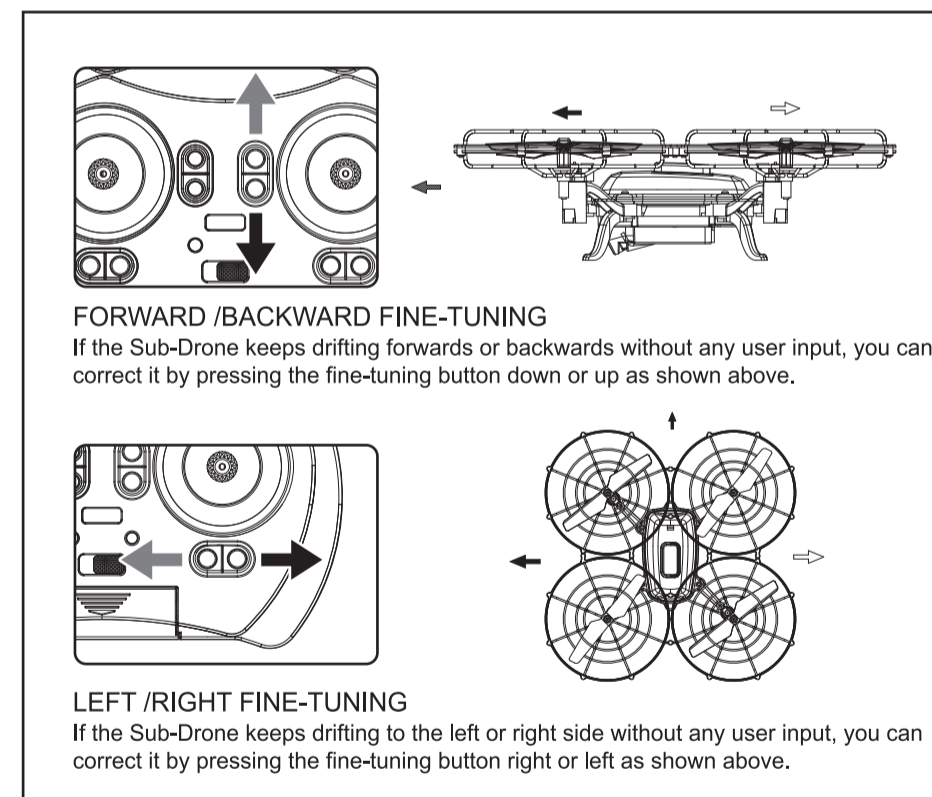
-5-

INSTRUCTIONS FOR FLIGHT



-6-

TRIM ADJUSTMENT



INSTRUCTIONS FOR DIVING

1. Put the Sub-Drone on the watch, the Sub-Drone will float in the water.
 2. Press the function conversion on the Remote control and the motor on the Sub-Drone will rotate in the opposite direction
 3. Push the left stick up to descend, the Sub-Drone will slowly dive into the water
 4. Push the left stick down to ascend, the Sub-Drone will automatically float up
 5. Push the right stick forward or backwards to move the Sub-Drone forward or backward
 6. Push the right stick left or right to move the Sub-Drone left or right
 7. Push the left stick left or right to rotate the Sub-Drone left or right
 8. If the Sub-Drone is inverted in the water, you can press the function conversion on the Remote control and push up the throttle, the Sub-Drone will automatically roll over in the water.
- Note:
1. The Sub-Drone should not exceed 0.8 M deep under water and no more than 30min.
 2. The Sub -Drone's diving function is limited to indoor use only.
 3. If you don't use it, please take it out of the water and dry it with a clean cloth.
 4. If the Sub-Drone is leaking, please immediately turn off the power switch on the Sub-Drone, and make sure the Sub-Drone inside is dry before it can be turned on.
 5. The Sub-Drone will be operated in accordance with the instruction manual before launching.

-7-

OTHER FUNCTION INTRODUCTION

1. Photography / Video instructions:
 - a. Make sure the memory card is inserted into the camera.
 - b. Turn on the Sub-Drone – The camera is working when the indicator light is constantly blue. If the BLUE light keeps flashing, the memory card is not inserted into the camera. Please insert the memory card and the blue light will stop flashing.
 - c. Use the photo button or the video button on the remote to switch photo and video mode. In photo mode, both the RED and BLUE indicator light on the Sub-Drone will flash once to take a photo. In video mode, both the RED and BLUE indicator light on the Sub-Drone will keep flashing. When you want to stop the video recording and save the video, please press the button once, both the RED and BLUE indicator light on the Sub-Drone will stop flashing.
2. Low-voltage protection: When the four indicators light of the Sub-Drone start to flicker, it means that the battery is low and it is recommended to land the Sub-Drone and re-charge the battery.
3. Over-current protection: If the Sub-Drone's blades become stuck or seized following a crash, the circuit will enter over-current protection mode and cut power to the blades. The lights on the Sub-Drone will flash. Turn off both the Sub-Drone and the remote and start again.
4. High / low speed switch: Use this left stick to change the speed of flight and driving. Press it to increase the speed: One beep is medium speed, two beeps is high speed.

Note: it is recommended for beginners to only use the low setting until they become more competent with the controls and the handling of the Sub-Drone.

TROUBLESHOOTING

PROBLEM	CAUSE	SOLUTION
The Sub-Drone has no response	1.The Sub-Drone has entered low-voltage protection mode. 2.The remote control does not have sufficient power. The power indicator light is flickering	1.Charge the Sub-Drone 2.Change the batteries in the remote control.
The Sub-Drone's response isn't sensitive enough	1.The remote control does not have sufficient power. 2.Another remote with the same frequency is causing interference.	1.Change the batteries in the remote control. 2.Change the flight location to where there is less interference
The Sub-Drone can't take photos and video	The Sub-Drone does not have a memory card	Insert the memory card into the Sub-Drone
The Sub-Drone can't be remotely controlled in water	1.Use the Sub-Drone outdoor 2.Another remote with the same frequency is causing interference.	1.Do not use outdoorA 2.Change the flight location to where there is less interference

-8-